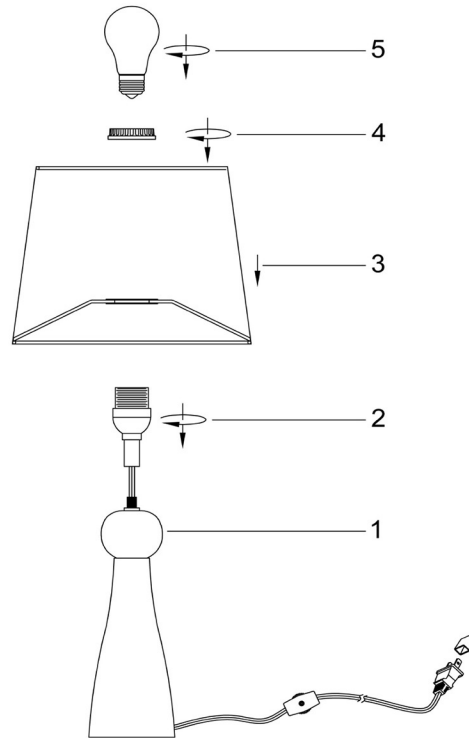


# ASSEMBLY INSTRUCTIONS

JTB-001 / JTB-002



NOTE : The drawing of the lamp body is for reference only.

Made in China

Dear Customer,

Congratulations on your purchase of this quality lamp. It has been produced under the highest quality standards. Please read carefully the following precautions before using this lamp:

- When unpacking and assembling, be careful not to pull wire with full strength, as an incorrect connection could result.
- Only use the bulb and wattage specified in this instructions or on the label located on the socket.
- Do not attempt to replace bulb while the lamp is plugged into an electrical outlet.
- Do not use outdoors, or near water or other liquids.
- Unplug from outlet before removal of any parts and cleaning.
- Only use soft cloth for cleaning. Do not use any chemical or abrasive cleaners.
- Remove the cellophane cover from shade before use.
- During shipment, the socket cover may have become loose. Before inserting bulb, check to see that the socket cover is in place.

- (1) Carefully move out all parts from box and remove all plastic covering from lamp parts.
- (2) Screw the section(2) onto the Lamp body(1).
- (3) Put the Shade(3) onto the Socket(2), then screw with the Socket ring(4) tightly.
- (4) Screw the Bulb(5) into the socket.  
(Bulb not included. Surya recommends a LED bulb)

**CAUTION:** TO REDUCE RISK OF FIRE, USE **MAX** 60WATT TYPE A LAMP OR USE **MAXIMUN** 9WATT SELF-BALLASTED LAMP OR LAMP ADAPTER. 120V, 60Hz, AC only, Made in China

**ATTENTION:** AFIN DE RÉDUIRE LE RISQUE D'INCENDIE, UTILISER UNE **MAX** AMPOULE TYPE A DE 60WATTS OU UTILISER UNE **MAXIMUN** 9WATTS AUTOBALLASTÉE LAMPE OU LAMPE ADAPTATEUR. 120V 60Hz C.A. SEULEMENT FABRIQUE EN CHINE

## CAUTION: IMPORTANT SAFETY INSTRUCTIONS

This portable lamp has a polarized plug (one blade is wider than the other) as a safety feature to reduce the risk of electric shock. This plug will fit in a polarized outlet only one way. If the plug does not fit fully in the outlet, reverse the plug. If it still does not fit, contact a qualified electrician. Never use with an extension cord unless the plug can be fully inserted. Do not alter the plug.